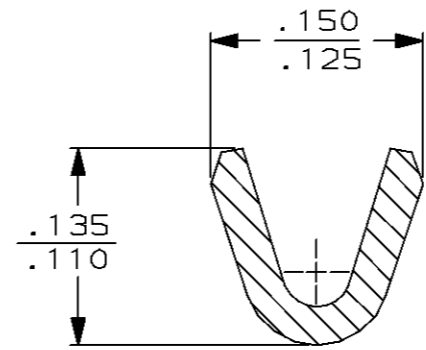
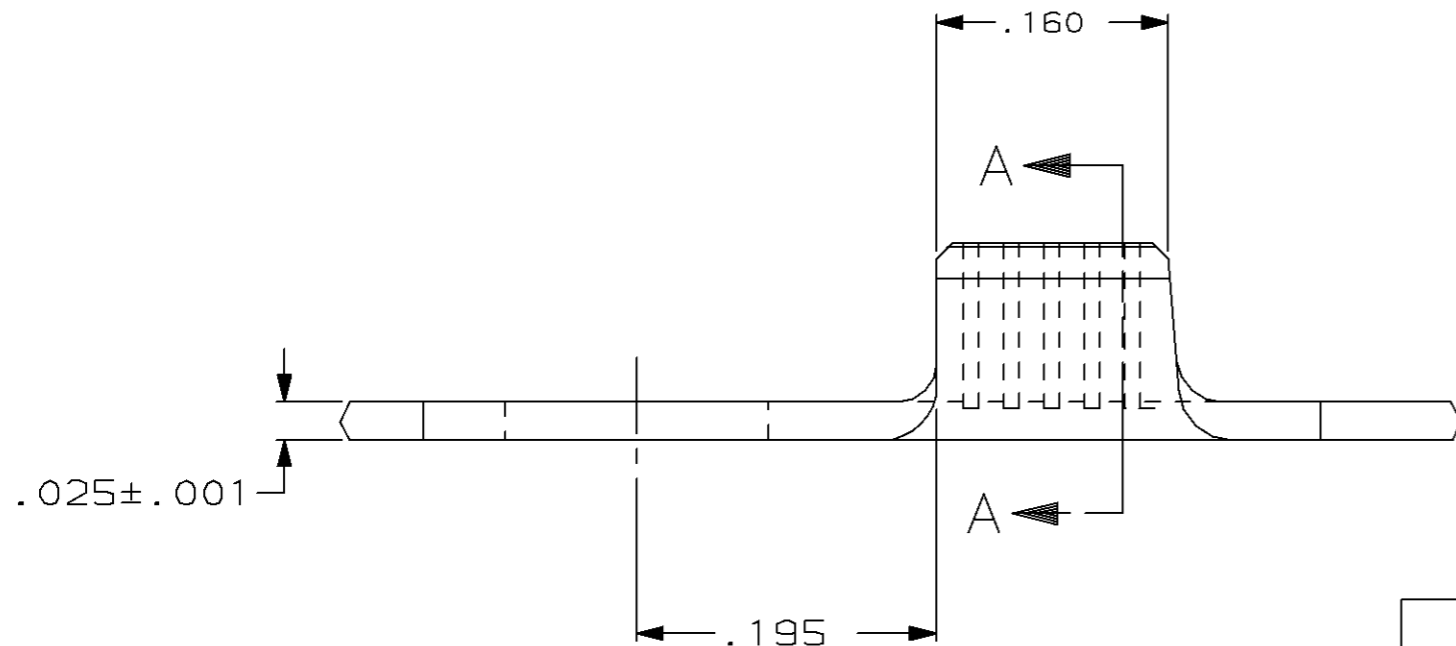
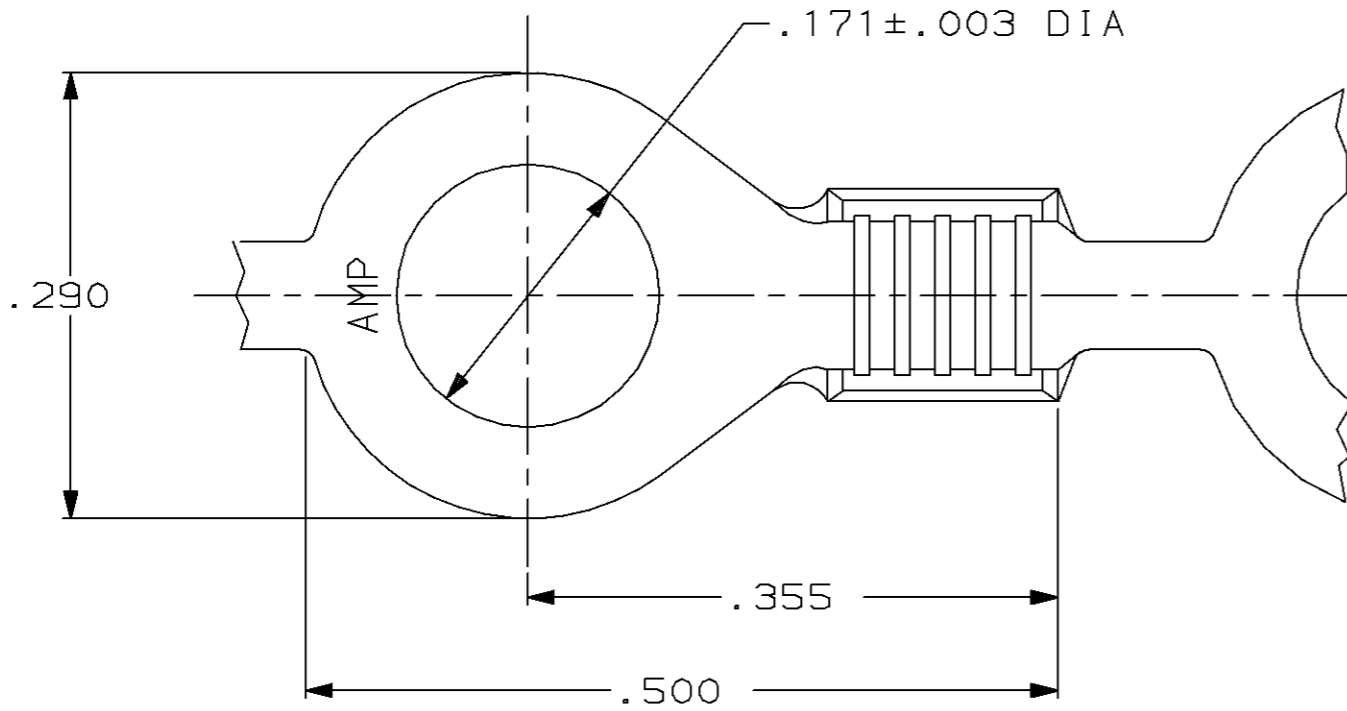


THIS DRAWING IS UNPUBLISHED. RELEASED FOR PUBLICATION ,19 .
 © COPYRIGHT 19 BY AMP INCORPORATED, HARRISBURG, PA. ALL INTERNATIONAL RIGHTS RESERVED. AMP PRODUCTS MAY BE COVERED BY U.S. AND FOREIGN PATENTS AND/OR PATENTS PENDING.

LOC	DIST	P	F	ZONE	LTR	DESCRIPTION	DATE	APPROVED
AF	50				C	ADD -2 PER AF-8086	8/6/92	PF/GY



1 .000080 MIN TIN PL PER MIL-T-10727.

UNLESS OTHERWISE SPECIFIED DIMENSIONS ARE IN INCHES TOLERANCES ON:		DR	12/11/86	AMP	
2 PL DEC ± -		D	HOLLINGSWORTH	AMP INCORPORATED Harrisburg, Pa. 17105	
3 PL DEC ± .015		CHK	1/6/87	NAME	
ANGLES ± -			G YETTER	RING, AMPLIVAR	
MATERIAL	H01 BRASS	APPD	1/6/87	SIZE	FSCM NO
FINISH	SEE TABLE		R FRANTZ	B	00779
		APPD	1/6/87	DRAWING NO	63446
			T SHUTTER	SCALE	8:1
		PRODUCT SPEC	-	SHEET	1 OF 1
		APPLICATION SPEC	-	PART NO	
		WEIGHT	-	63446-2	
				63446-1	